



Digital Camera &
Image Filing Software

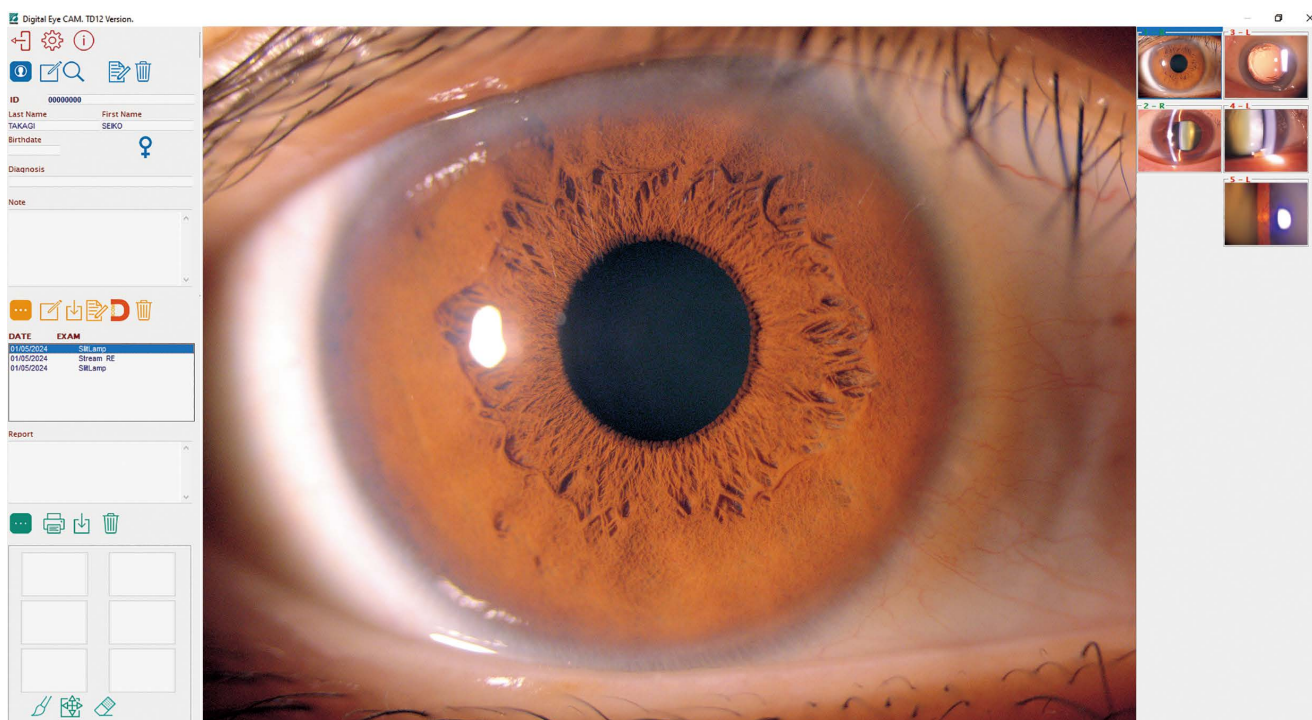
TD12 / EyeCAM

Serving Your Vision



Digital Camera & Image Filing Software TD12 / EyeCAM

Versatile high-performance camera for taking high-definition slit lamp images



* The monitor screen image is a composite image. Actual image quality may differ from the illustration.

TAKAGI has been serving the vision of the global eye-care industry since 1955.

TAKAGI brand products are developed, designed and manufactured in Nagano, a region famed for its thriving precision manufacturing industry. Protecting eye health means protecting opportunities to see the beautiful things in the world. It is based on this belief that we take great joy and pride in making our instruments beautiful as well as functional. Our world-class technological capabilities, assured quality and outstanding service, make us trusted by ophthalmic professionals in more than 80 countries worldwide.

TD12 is a digital camera and image filing system specially designed for use with TAKAGI slit lamps. The camera is equipped with a 12.4-megapixel high-resolution image sensor making it possible to take clear and finely detailed images.

TD12 is equipped with various functions that make it easy to capture clear slit lamp images, including capturing images with just one push of the slit lamp joystick button. In addition, the system's software includes an Auto Exposure function, enabling you to capture images optimised to lighting conditions.



Design

Neat digital imaging system with hidden cables

The TD12 exterior harmonizes seamlessly with TAKAGI slit lamps.



Usability

Capturing of still images with one push

As images can be taken with just a push of the slit lamp joystick button, you never need to take your eyes off the slit lamp to capture an image.

Using TAKAGI slit lamps with background illumination (700GL, 4ZL, and 2ZL BG models) allows you to adjust the brightness of the background in observation images, enabling clear image capture.



Features

Yellow filter built in as standard

The camera is fitted with a yellow filter as standard, convenient for fluorescence observation. Using it together with the blue filter installed in TAKAGI slit lamps enables high-contrast images to be taken.

The 12.4-megapixel high-resolution camera makes it possible to take clear and finely detailed images.

The spectroscopic ratio of the beam splitter is weighted to 70% for the examiner and 30% for the camera, meaning a bright microscope observation image can be obtained even when the camera is attached.



EyeCAM Software

Auto Exposure function

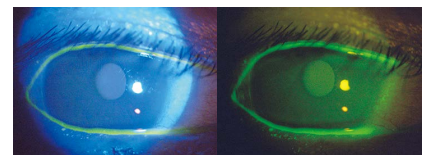
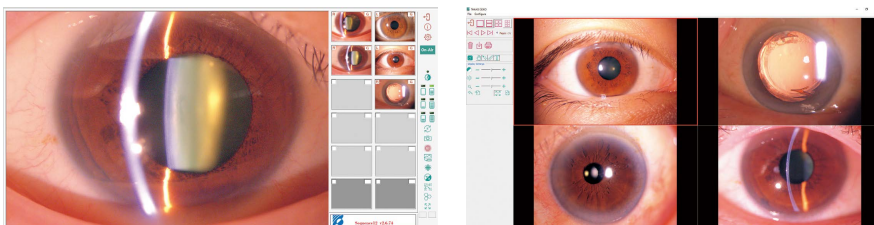
The Auto Exposure function of the software allows you to capture images optimised to lighting conditions when taking slit lamp images.

An automatic detection function is installed to determine whether the image taken is of the left or right eye.

User-friendly software with DICOM compatibility

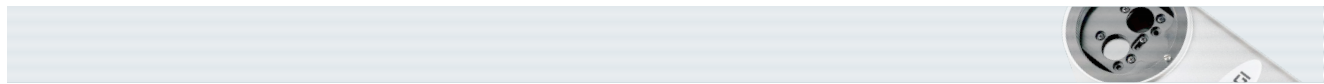
Three default settings are available for camera tint and brightness. You can adjust the settings for camera tint and brightness to your preference and save up to six settings. Settings can be made intuitively using a computer mouse.

EyeCAM software is DICOM® compatible. For further details about DICOM connectivity, please see your nearest dealer, or contact our Sales Department.



Only with the slit lamp's blue filter

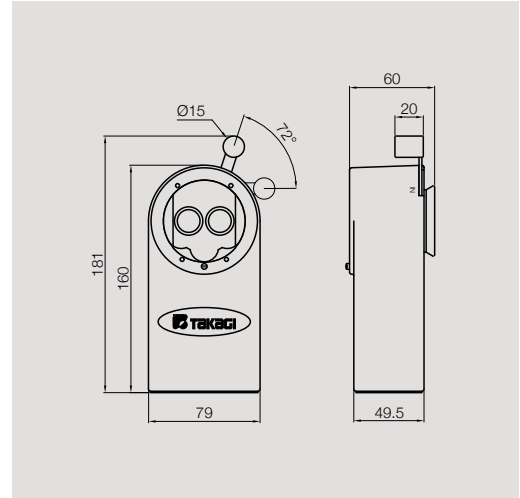
With the slit lamp's blue filter & the TD12's yellow filter



Camera Specifications

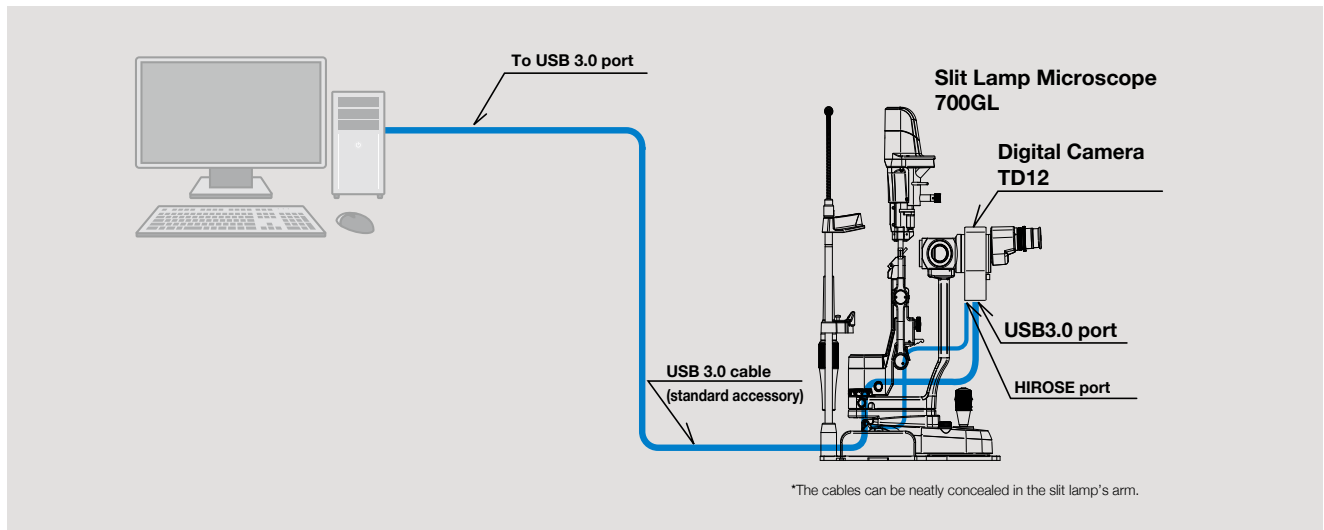
Sensor technology	CMOS
Resolution pixel	4064 x 3044
Resolution	12.4 MP
Frame rate	30.7 fps (max)
Filter	Yellow filter IN/OUT

Dimensions



System Requirements

OS	Windows 10 & 11
RAM	8 GB
Interface	at least 1x USB 3.0, 1x USB 2.0 or 3.0
CPU	Intel i5 3.5 GHz or superior
Monitor Resolution	Full HD (1920 x 1080)
Video Board	Graphics with 1 GB or more
Memory	SSD Disk 512 GB or superior



Slit lamp models compatible with TD12

	700GL, 700GL NSW, 700GL LPH	30GL	4ZL	2ZL, 2ZL BG
TD12	✓		✓	✓

To ensure safe and correct handling please read the user manual before using.

- Description and appearance as detailed in this brochure may be subject to change as improvements are made to products.
- Colours as they appear in brochure photographs may be slightly different to actual products due to lighting conditions when photographs were taken, or print colours.

For The Americas, Asia-Pacific & Middle East
Takagi Seiko Co., Ltd
 330-2 Iwafune, Nakano-shi, Nagano-ken, 383-8585, Japan
 TEL : +81(0)269-22-4511(Switchboard) URL : <https://www.takagi-j.com>

For Europe & Africa
Takagi Ophthalmic Instruments Europe Ltd
 Citylabs 1.0, Nelson Street, Manchester, M13 9NQ, UK
 TEL : +44 (0)161 273 6330 URL : <https://www.takagi-europe.com>



Your local distributor