



CR-750

CR-750S

Motorised Patient Chair

CR-750 CR-750S

Serving Your Vision



Colour variation

The Americas, Asia-Pacific & Middle East : Pink, Blue and Green



Pink

Blue

Green

Europe & Africa : Blue/ROHS2 compliant



Blue/ROHS2

*Pink and Green are not available in Europe & Africa

Large elevation stroke for all patient heights

Minimum chair height is now approximately 30mm lower than that of the previous model, accommodating all patient heights sufficiently with a large 150mm elevation stroke.

Up / down switch equipped as standard

New CR-750 / CR-750S chairs can be raised and lowered with the up / down switches located on the lower back of the chair, allowing medical assistants to quickly and conveniently adjust the chair height.



CR-750S: for integrated use, requiring no foot controller

By connecting to the Ophthalmic Workstation, Smart Table, or Electric Instrument Table, the chair elevation can be controlled by the buttons on the instrument table. More comfortable legroom is achieved as there is no need to place a foot controller on the floor.

*Please contact our sales department with the serial number of the product to be attached.

Slide mechanism (factory option)

By fitting a slide mechanism, the chair can slide forwards up to 60mm while the patient remains seated, allowing the patient to be situated closer to the instrument for examination if required, without moving the entire chair.

*Factory option only, not sold separately.

Round seat (user option)

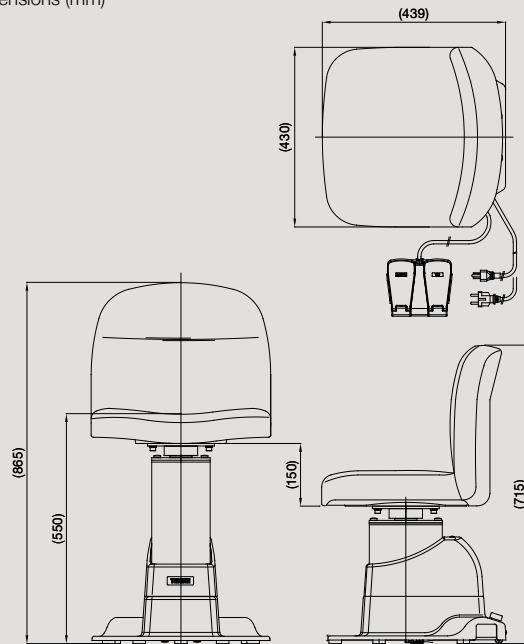
Square seats are supplied as standard, a round seat can be supplied as an option. Seats are easily installed with screws at four locations.

Specifications


Model name	CR-750 Motorised Patient Chair CR-750S Motorised Patient Chair
Elevation stroke	150 mm
Load capacity	up to 150 kg
Input power	AC 100-230 V, 50/60 Hz
Power consumption	120 VA
Weight	26.5 kg (CR-750) 25 kg (CR-750S)

Dimensions

Dimensions (mm)



*The dimensions of CR-750 and CR-750S are identical.
*CR-750S does not include the foot controller.

 To ensure safe and correct handling please read the user manual before using.

- Description and appearance as detailed in this brochure may be subject to change as improvements are made to products.
- Colours as they appear in brochure photographs may be slightly different to actual products due to lighting conditions when photographs were taken, or print colours.



For The Americas, Asia-Pacific & Middle East
Takagi Seiko Co., Ltd
330-2 Iwafune, Nakano-shi, Nagano-ken, 383-8585, Japan
TEL : +81(0)269-22-6094 URL : <https://www.takagi-j.com>



For Europe & Africa
Takagi Ophthalmic Instruments Europe Ltd
Citylabs 1.0, Nelson Street, Manchester, M13 9NQ, UK
TEL : +44 (0)161 273 6330 URL : <https://www.takagieurope.com>



Your local distributor