



Ophthalmic Chair UN-15

Serving Your Vision



Ophthalmic Chair

UN-15

Satisfaction guaranteed in everyday use for patient care.

Outstanding Features

A pneumatic-assisted manual recline mechanism uses patient's weight for easy reclining adjustments.

Recline capability includes a comfortable flat position, or any desirable position in between.

Single-handed headrest operation provides smooth patient headrest adjustment, and a unique lock indicator ensures that the headrest is locked firmly and securely in position.

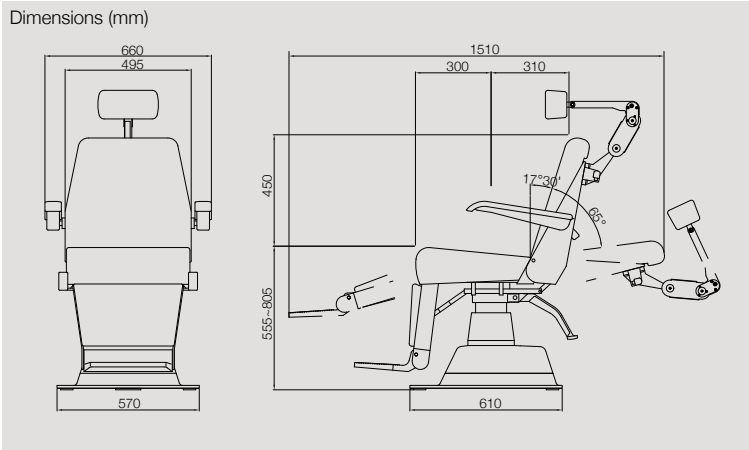
TAKAGI standard fail-safe sealed hydraulic system ensures smooth, long-term operation.

Rear-positioned, foot-activated rotation lock is easily accessible from both sides.

Specifications

| | |
|--------------------------|--------------------------------|
| Model name | UN-15 Ophthalmic Chair |
| Reclining angle | 107.5° to 172.5° |
| Rotating angle | 255° |
| Reclining | By power hydraulic pump motor. |
| Allowable load | 150 kg |
| Power supply | AC 100, 120, 230 V, 50/60 Hz |
| Power consumption | 800 VA |
| Weight | 110 kg |

Dimensions



Single-handed headrest



Foot-activated rotation lock



Combined with Ophthalmic Stand SN-500

To ensure safe and correct handling please read the user manual before using.

- Description and appearance as detailed in this brochure may be subject to change as improvements are made to products.
- Colours as they appear in brochure photographs may be slightly different to actual products due to lighting conditions when photographs were taken, or print colours.



For The Americas, Asia-Pacific & Middle East

Takagi Seiko Co., Ltd

330-2 Iwafune, Nakano-shi, Nagano-ken, 383-8585, Japan
TEL : +81(0)269-22-6094 URL : <https://www.takagi-j.com>



For Europe & Africa

Takagi Ophthalmic Instruments Europe Ltd

Citylabs 1.0, Nelson Street, Manchester, M13 9NQ, UK
TEL : +44 (0)161 273 6330 URL : <https://www.takagieurope.com>



Your local distributor