



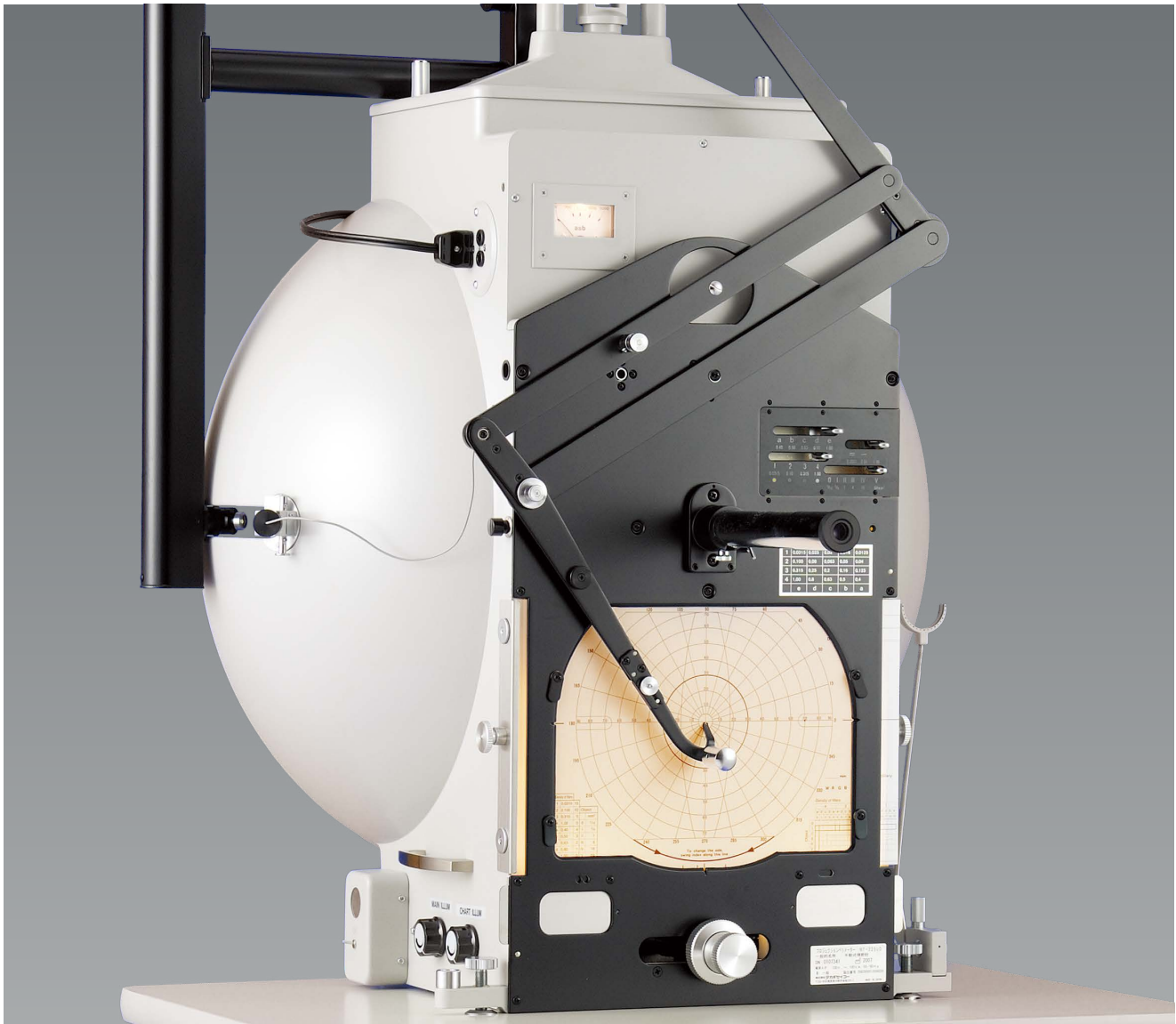
# Projection Perimeter MT-325UD

*Serving Your Vision*



# Projection Perimeter MT-325UD

Perimeter, the foundation of visual field testing



TAKAGI's perimeters boast several decades of outstanding performance. The MT-325UD perimeter is effective in detecting not only glaucoma but also various other visual field abnormalities.



---

## Excellence in glaucoma testing

MT-325UD is exceptional in detecting and assessing a wide range of glaucoma from early to advanced stages. It can also be used to perform kinetic quantitative perimetry in middle-stage glaucoma, where peripheral visual field defects start to appear, as well as in advanced glaucoma. This provides an articulate assessment of a patient's visual field.

---

## Light and smooth stimulus movement

With MT-325UD, the test stimulus can be moved smoothly to a given position during the examination.

---

## Benefits of manual perimetry

Unlike with the automated versions where testing progresses automatically, manual perimetry allows the examiner to communicate with the examinee during the testing process. This will ease the pressure or fatigue the examinee may feel, facilitating more successful test results.

---

## Exact brightness

One of the crucial parameters in perimetry is precision in the stimulus intensity. As MT-325UD has a light meter built in, the intensity of the stimulus can easily be checked at anytime. Being illuminated, the light meter on MT-325UD can be read clearly even in a dark room.

## Options

### Highly-sensitive flicker perimetry attachment

Flickering stimuli make it possible to detect early-stage disorders in the third-order neurons such as optic neuropathy. The flicker frequency is variable between 10 and 60Hz.





## Specifications

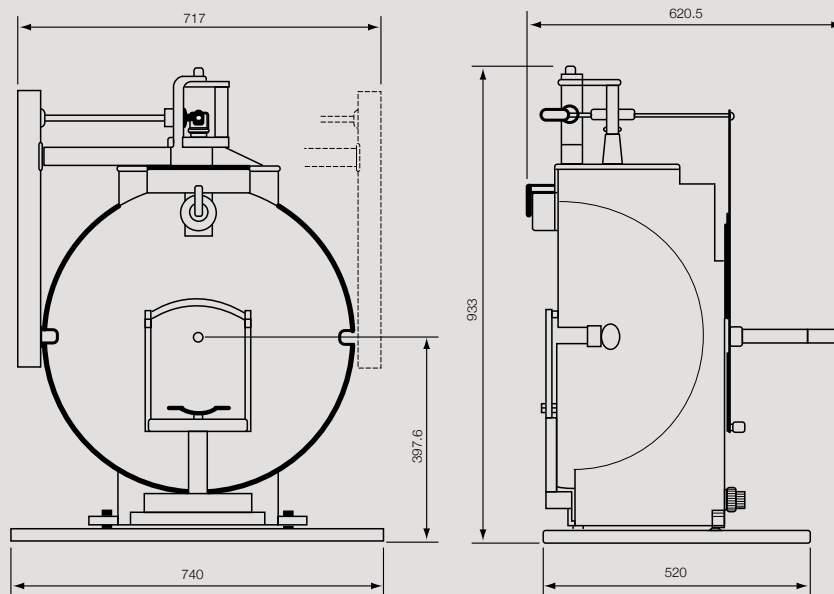
<b>Model name</b>	MT-325UD Projection Perimeter
<b>Type</b>	Hemispherical projection perimeter
<b>Measuring range</b>	90 degrees (temporal), 70 degrees (superior, inferior)
<b>Testing distance</b>	300 mm (spherical radius)
<b>Background luminance</b>	31.5 asb
<b>Stimulus intensity</b>	1000 asb
<b>Neutral density filter</b>	Variable in 4 steps at 0.0315, 0.10, 0.315 and 1.00
	Variable in 5 steps at 0.40, 0.50, 0.63, 0.80 and 1.00
	Variable in 3 steps at 0.0001, 0.01 and 1.00
	* Stimulus intensity can be varied in 60 settings by combining the neutral density filters above.
<b>Stimulus sizes (in area)</b>	1/16, 1/4, 1, 4, 16 and 64 mm <sup>2</sup>
<b>Light meter</b>	0-2000 asb
<b>Light bulbs</b>	6 V, 4.35 A (stimulus)
	8 V, 1 A (recording paper lighting)
<b>Power consumption</b>	100 VA
<b>Dimensions</b>	See below
<b>Weight (main unit only)</b>	41 kg




ST-26H Electric Instrument Table

## Dimensions

Dimensions (mm)



 To ensure safe and correct handling please read the user manual before using.

- Description and appearance as detailed in this brochure may be subject to change as improvements are made to products.
- Colours as they appear in brochure photographs may be slightly different to actual products due to lighting conditions when photographs were taken, or print colours.



**For The Americas, Asia-Pacific & Middle East**  
**Takagi Seiko Co., Ltd**  
 330-2 Iwafune, Nakano-shi, Nagano-ken, 383-8585, Japan  
 TEL : +81(0)269-22-6094 URL : <https://www.takagi-j.com>



Your local distributor



**For Europe & Africa**  
**Takagi Ophthalmic Instruments Europe Ltd**  
 Citylabs 1.0, Nelson Street, Manchester, M13 9NQ, UK  
 TEL : +44 (0)161 273 6330 URL : <https://www.takagieurope.com>